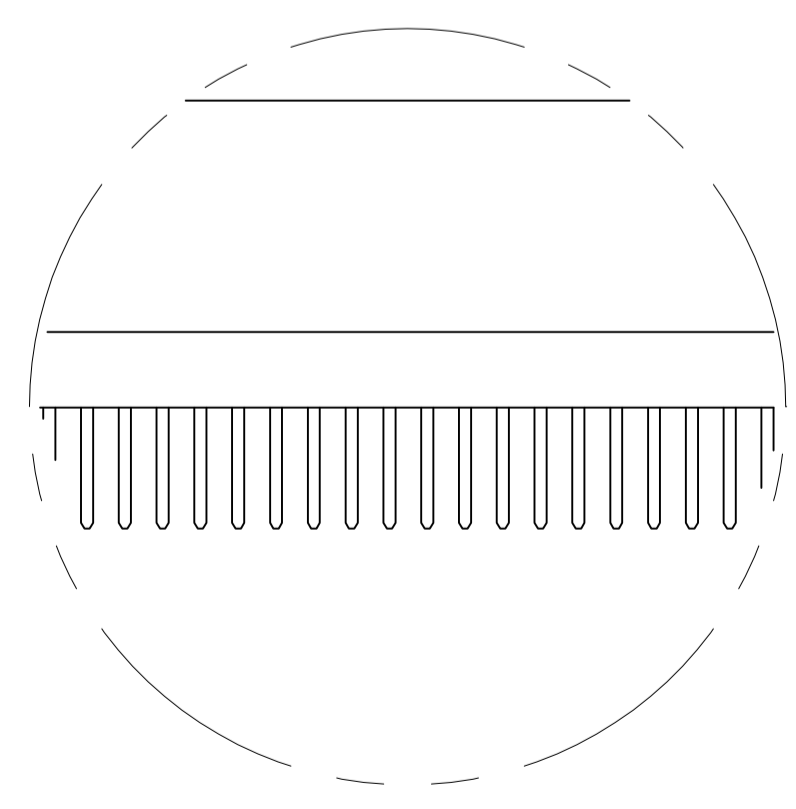
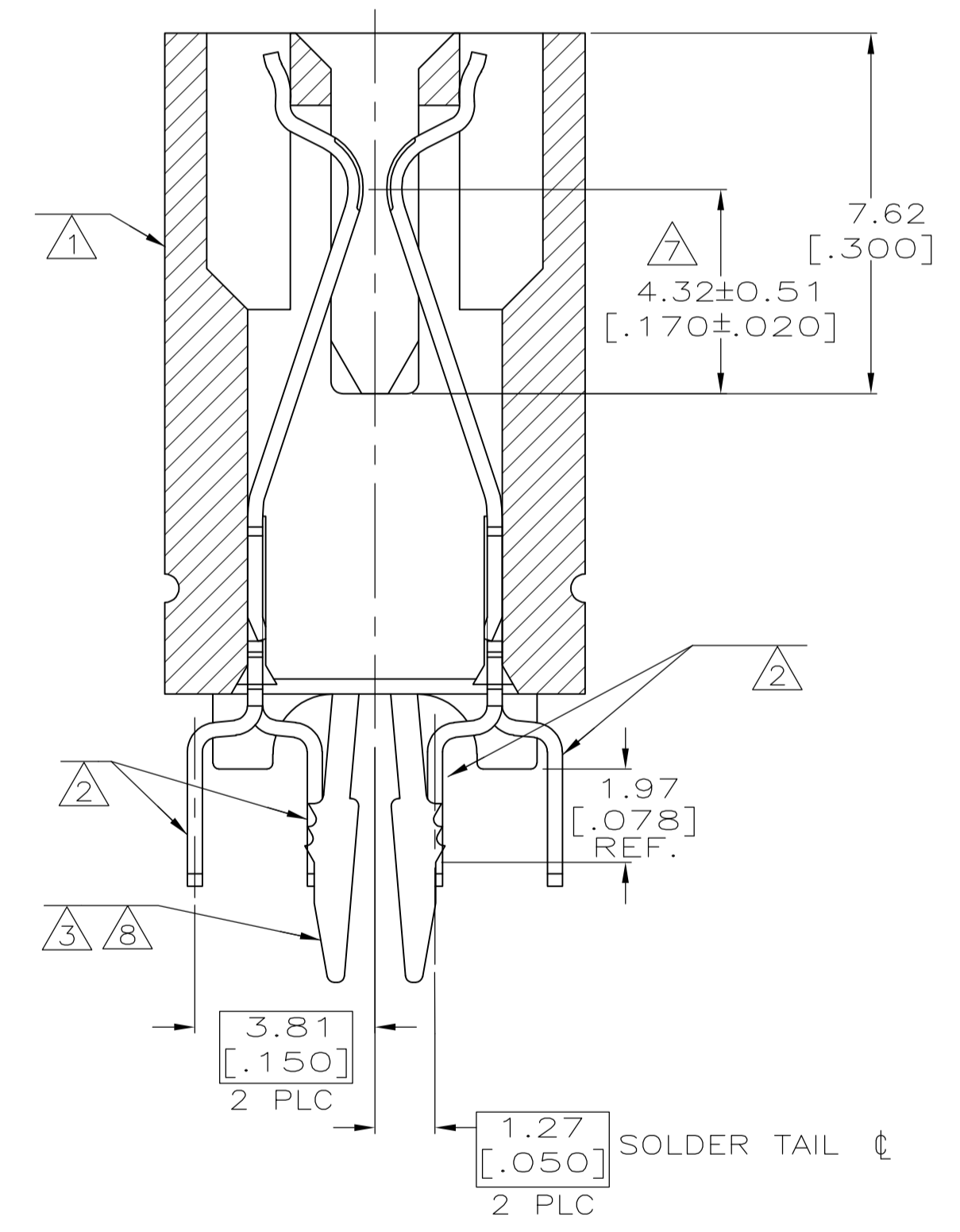


SEE SHEET 2 FOR HOLE PATTERN



DETAIL A

- ① HOUSING: HIGH TEMPERATURE THERMOPLASTIC. COLOR - NATURAL
- ② CONTACT: PHOSPHOR BRONZE.
- ③ METAL HOLD DOWN: BRASS
- ④ CONTACT FINISH: .001269[.000050] MIN NICKEL ALL OVER. GOLD FLASH OVER NICKEL IN CONTACT AREA. .002537[.000100] MIN MATTE TIN OVER NICKEL ON SOLDER TAILS.
- ⑤ CONTACT FINISH: .001269[.000050] MIN NICKEL ALL OVER. .000375[.000015] GOLD OVER NICKEL IN CONTACT AREA. .002537[.000100] MIN MATTE TIN OVER NICKEL ON SOLDER TAILS.
- ⑥ CONTACT FINISH: .001269[.000050] MIN NICKEL ALL OVER. .000757[.000030] GOLD OVER NICKEL IN CONTACT AREA. .002537[.000100] MIN MATTE TIN OVER NICKEL ON SOLDER TAILS.
- ⑦ DISTANCE FROM CONTACT POINT TO BOTTOM OF CARD SLOT.
- ⑧ METAL HOLD DOWN FINISH: .001269[.000050] MIN NICKEL ALL OVER. .003809[.000150] MIN MATTE TIN ALL OVER.
- ⑨ AMP PART NUMBER, DATE CODE AND CSA LOGO MARKED IN APPROXIMATE LOCATION SHOWN.
- ⑩ CORED OR SOLID SIDE WALLS ARE AT DISCRETION OF AMP INCORPORATED.
- ⑪ OBSOLETE PARTS: OBSOLETE CIS STREAMLINING PER D.RENAUD/D.SINISI



SECTION L-L SCALE 8:1

OBSOLETE	4.70 [.185]	①	1-5145167-3
	3.56 [.140]	①	1-5145167-2
	3.18 [.125]	①	5145167-8
	2.54 [.100]	①	5145167-4
OBSOLETE	2.54 [.100]	①	5145167-3
① OBSOLETE	2.54 [.100]	①	5145167-2
① OBSOLETE	2.54 [.100]	①	5145167-1

W	FINISH	PART NUMBER
---	--------	-------------

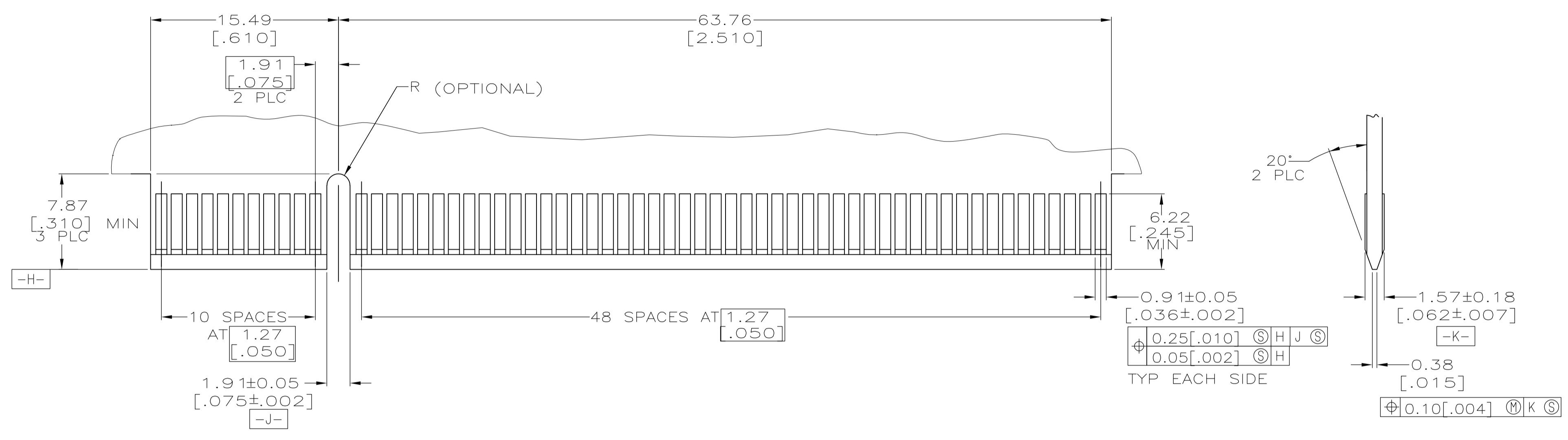
THIS DRAWING IS A CONTROLLED DOCUMENT.

DIMENSIONS:	TOLERANCES UNLESS OTHERWISE SPECIFIED:	APV	AL FRANTUM	11 APR 05
mm	0 PLC ± -	AL FRANTUM	11 APR 05	
	1 PLC ± -			
	2 PLC ± 0.25 [.01]			
	3 PLC ± 0.127 [.005]			
	4 PLC ± -			
	ANGLES ± ±			

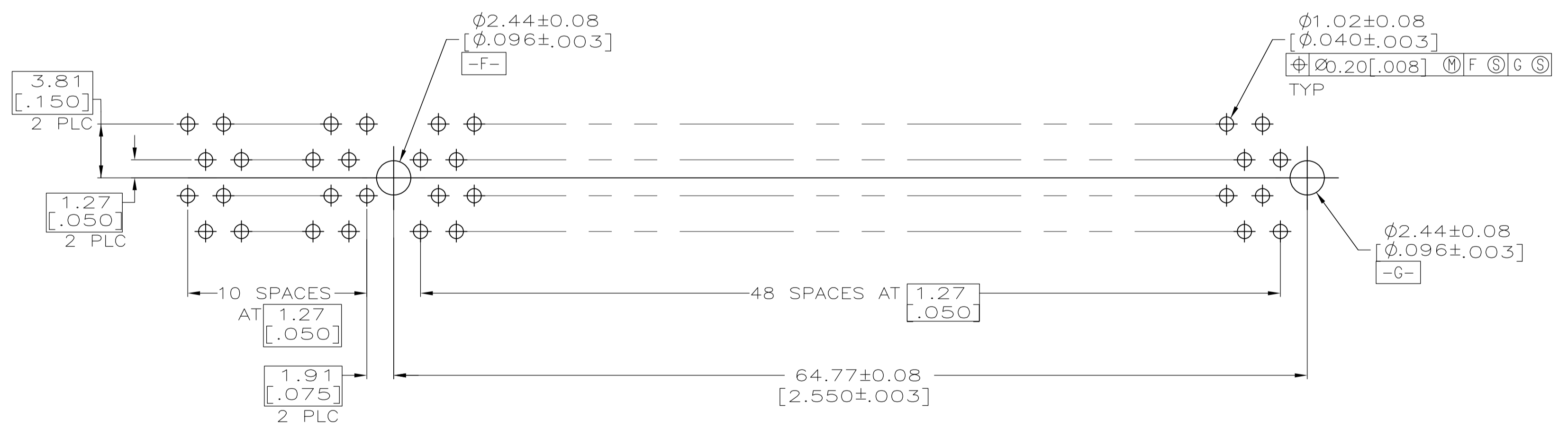
MATERIAL: ①②③ FINISH: ④⑤⑥

AL FRANTUM	11 APR 05	NAME	CONNECTOR ASSEMBLY, 60 DUAL POSITION, 1.27 [.050] SERIES, STANDARD EDGE
AL FRANTUM	11 APR 05	PRODUCT SPEC	108-14034
		APPLICATION SPEC	114-26012
		SIZE	A1
		WEIGHT	00779
		CAGE CODE	5145167
		DRAWING NO	5145167
		RESTRICTED TO	

CUSTOMER DRAWING SCALE 4:1 SHEET 1 OF 2 REV D2



RECOMMENDED MATING BOARD EDGE CONFIGURATION



RECOMMENDED CONNECTOR MOUNTING HOLE PATTERN (CONNECTOR SIDE SHOWN)

THIS DRAWING IS A CONTROLLED DOCUMENT.		DIN AL FRANTUM 11 APR 05		STE TE Connectivity	
DIMENSIONS: mm		TOLERANCES UNLESS OTHERWISE SPECIFIED:		NAME	
0 PLC ± -		1 PLC ± -		PRODUCT SPEC	
1 PLC ± -		2 PLC ± 0.25 [.01]		108-14034	
2 PLC ± -		3 PLC ± 0.127 [.005]		APPLICATION SPEC	
3 PLC ± -		4 PLC ± -		114-26012	
4 PLC ± -		ANGLES ± -		SIZE CAGE CODE DRAWING NO	
MATERIAL SEE SHEET 1		FINISH SEE SHEET 1		A1 00779 C=5145167	
		WEIGHT		RESTRICTED TO	
		CUSTOMER DRAWING		SCALE 4:1 SHEET 2 OF 2 REV D2	